

100918-2

RESOLUTION

BE IT RESOLVED, by authority of the Gettysburg Borough Council  
 (Name of governing body)  
 of the Borough of Gettysburg, Adams County, and it  
 (Name of MUNICIPALITY)  
 is hereby resolved by authority of the same, that the Borough Manager  
 (designate official title)  
 of said MUNICIPALITY is authorized and directed to submit the attached Application for Traffic  
 Signal Approval to the Pennsylvania Department of Transportation and to sign this Application on behalf of  
 the MUNICIPALITY.

ATTEST:

Borough of Gettysburg  
 (Name of MUNICIPALITY)

Charles R. Gable  
 (Signature and designation of official title)

By: Charles R. Gable  
 (Signature and designation of official title)

I, Charles R. Gable, Borough Manager  
 (Name) (Official Title)

of the Borough of Gettysburg, do hereby certify that the foregoing  
 (Name of governing body and MUNICIPALITY)

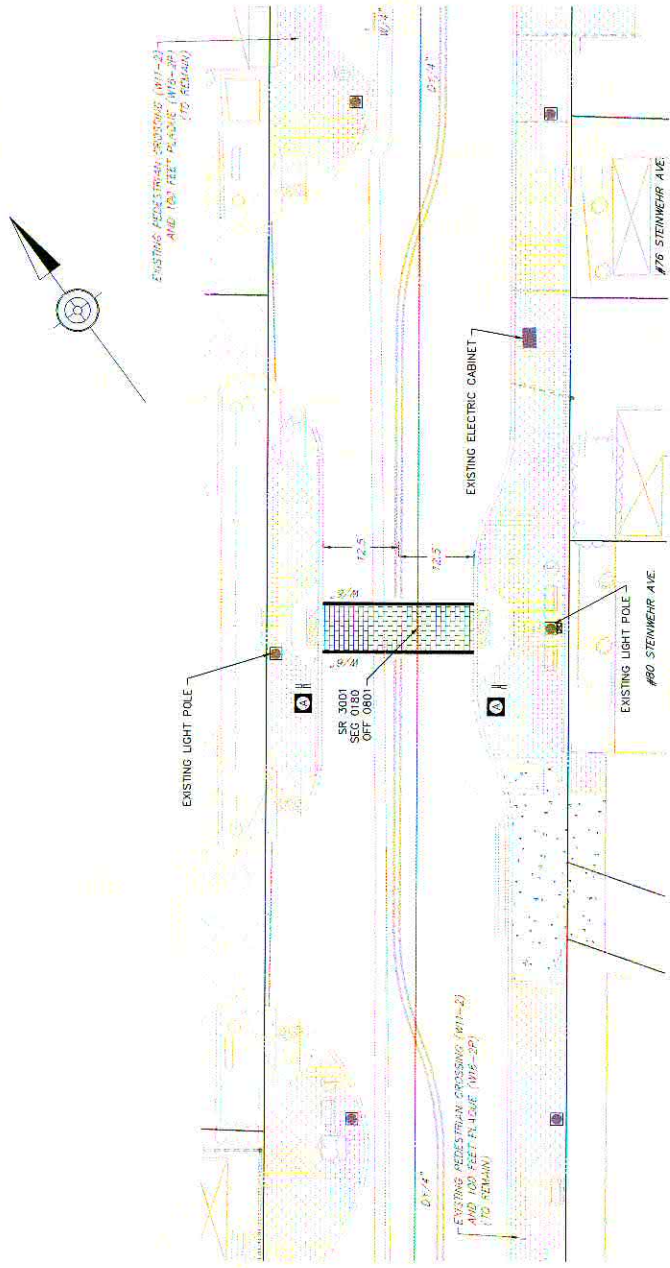
is a true and correct copy of the Resolution adopted at a regular meeting of the  
Gettysburg Borough Council, held the 9 day of October, 2018.  
 (Name of governing body)

DATE: 10/11/18

Charles R. Gable  
 (Signature and designation of official title)  
 Borough Manager

**GENERAL NOTES**

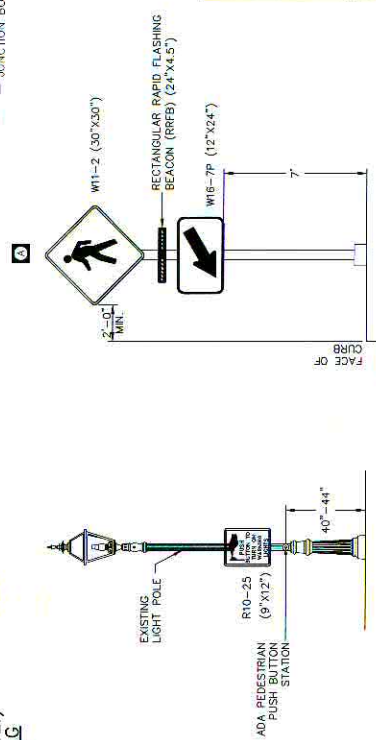
INSTALLATION, OPERATION AND MAINTENANCE OF THE LED UNITS AND RECTANGULAR RAPID FLASHING BEACONS SHALL BE IN ACCORDANCE WITH THE PENNSYLVANIA DEPARTMENT OF TRANSPORTATION REGULATIONS, CONTROL DEVICES, AND THE F.H.W.A. MUTCD (MOST RECENT EDITION).  
 NO MODIFICATION OF THIS INSTALLATION IS PERMITTED UNLESS IN WRITING, BY THE PENNSYLVANIA DEPARTMENT OF TRANSPORTATION.  
 ALL MAINTENANCE NECESSARY FOR PROPER VISIBILITY OF THE BEACONS AND THE BEACON UNITS, INCLUDING TRIMMING TREES, IS THE RESPONSIBILITY OF THE PERMITEE.  
 CONSTRUCTION AND INSTALLATION OF THE DIRECT BURIAL BEACONS SHALL BE IN ACCORDANCE WITH THE TRANSPORTATION PUBLICATION 408 SPECIFICATIONS AND TRAFFIC STANDARDS TC-8800 SERIES.  
 THE PERMITEE IS RESPONSIBLE FOR OBTAINING APPROVAL FOR INSTALLATION OF TRAFFIC SIGNAL DEVICES LOCATED OUTSIDE HIGHWAY RIGHT-OF-WAY.  
 THE PERMITEE SHALL COMPLY WITH THE PROVISIONS OF ACT 199, PREVENTION OF DAMAGE TO UNDERGROUND UTILITIES THAT OCCURS PRIOR TO CONSTRUCTION, THE PERMITEE SHALL CONTACT PENNSYLVANIA ONE-CALL SYSTEM.  
 ALL SIGNS AND PAVEMENT MARKINGS INDICATED ON THIS DIAGRAM ARE CONSIDERED PART OF THIS PERMIT AND SHALL BE INSTALLED AND MAINTAINED BY THE PERMITEE.



**STATE ROUTE 3001 (STEINWEHR AVE.)  
 MID-BLOCK PEDESTRIAN CROSSING**



- LEGEND**
- — BENCHMARK
  - — SIGN
  - ⊕ — SIGN LABEL
  - W1/2 — SOLID WHITE LINE/WIDTH
  - W12/2P — SOLID WHITE LINE/WIDTH
  - — DOUBLE SOLID YELLOW LINE/WIDTH
  - — CONTROLLER BOX
  - — JUNCTION BOX



**POLE MOUNTED PEDESTRIAN  
 CROSSING WARNING DEVICE**  
 N.T.S.

**MOVEMENT, SEQUENCE AND TIMING**

PHASE	INTERVAL	ON	OFF
RECTANGULAR RAPID FLASHING BEACONS	1	ON	
PEDESTRIANS	20		20

County:	ADAMS
Municipality:	GETTYSBURG BOROUGH
Intersection:	STEINWEHR AVE. (S.R. 3001)
	MID-BLOCK PEDESTRIAN CROSSING
Reviewed:	
Municipality:	
Recommended:	
District Traffic Engineer:	